

# ROTO CLEAR

 S3

Product overview

Your process  
at a glance





A clear view of the production processes under the toughest milling conditions. The spinning window is an approved system to keep inspection window clean and thus to ensure continuous control of work flow. Rotoclear is suitable for all kinds of metal cutting machines such as turning centers, milling machines, including machining centers and test stands.

A rotating disc flings off striking coolants and cuttings, whether water-soluble or water-insoluble. This enables the operator to have a clear view into the processing area at all times – thus guaranteeing safety according to the applicable safety regulations.



Lowest installation height in the world

Maximum field of view

Revolutionary drive concept

Rotor can be changed in less than a minute

Easy to retrofit

# Bonding version

Suitable for polycarbonate windows and laminated safety glass

A bonding flange is glued from the inside on the window. Rotoclear is mounted onto that flange (see [manual](#), page 7). If glued on a

polycarbonate window, the gluing area must be primed first. On glass it is possible to glue directly. Absolute cleanliness is required in any case.

## **Order number: 76316**

Total weight incl. packaging: 5,7 kg

Dimensions: 35x32x14 cm

Included in delivery:

- 1x Rotoclear S3 – Basic unit (rotor and stator)
- 1x Bonding flange with cover
- 1x Two component adhesive
- 1x Cleaning towel
- 1x Dosing gun for 2C adhesive
- 1x Position template
- 1x Protective hose (2.0m)
- 1x Air hose (8,5m)
- 1x Power cable (10m)
- 1x Adapter electric-pneumatic (protective hose)
- 1x Hose fitting
- 2x Pipe fitting
- 1x Elbow fitting
- 1x Primer
- 1x Pad (for application of primer)
- 1x Manual de-en
- 1x Gluing manual
- 10x Cylinder bolt

# Screw version

Suitable for polycarbonate windows

10 small holes have to be drilled into the windows (drilling template included). The lead out flange must be placed from the outside and Rotoclear mounted

from the inside (see [manual](#), page 8). The screw version has a price advantage and can be mounted faster. But it can only be used for polycarbonate windows.

## **Order number: 76314**

Total weight incl. packaging: 5,2 kg

Dimensions: 35x32x14 cm

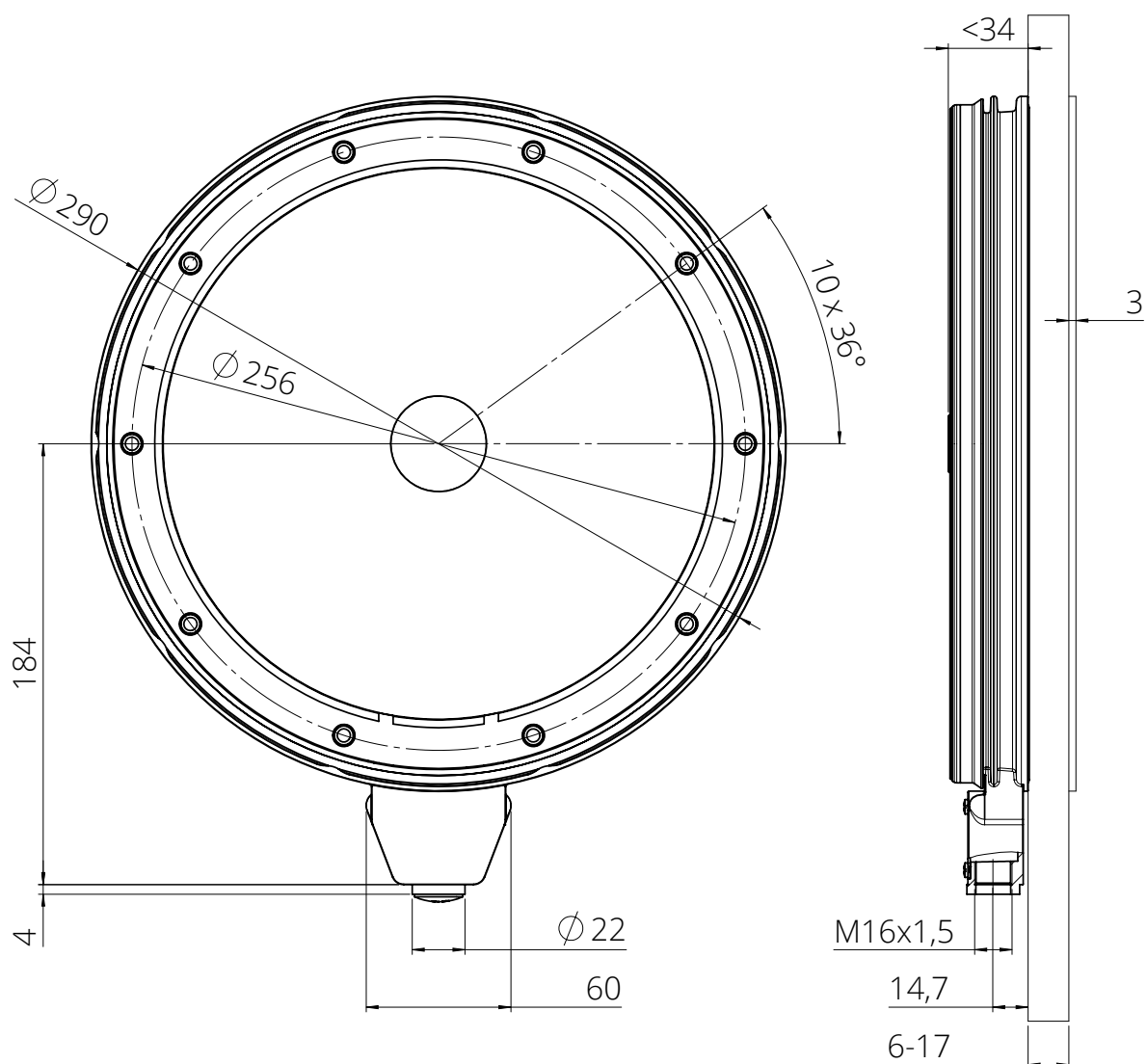
Included in delivery:

- 1x Rotoclear S3 – Basic unit (rotor and stator)
- 1x Screw flange (clamping range 6-17mm)
- 1x Position template
- 1x Protective hose (2.0m)
- 1x Air hose (8,5m)
- 1x Power cable (10m)
- 1x Adapter electric-pneumatic (protective hose)
- 1x Hose fitting
- 2x Pipe fitting
- 1x Elbow fitting
- 1x Manual de-en
- 10x Cylinder bolt

## Installation

Nearly every machine can be retrofitted with Rotoclear. It is mounted on the inside of the original machine window. First you will look through the machine window, then through

the device. It has a thickness of 33.5mm. At least 34mm is required on the inside of the machine window, so that the device does not collide when the machine door is opened.



## Accessories

Additionally we offer a manometer and a gate valve to adjust the sealing air directly at the stator. This guarantees

an absolutely tight system with the lowest air consumption possible.

### Manometer

Measurement equipment to check pressure at connecting box

**Order number: 78973**

### Straight way valve

For exact adjustment of sealing air

**Order number: 89737**

To adjust the pressure you just need either the gate valve or alternatively you can use any commercially

available pressure reducing valve. For further information please check the [manual](#) on page 11 or the [specifications](#).

## Special-purpose solutions

Special-purpose kits for the installation of Rotoclear into a sheet metal wall or into a curved window are available.

Also available is a kit to replace our former models Rotoclear

S and S2 by Rotoclear S3.

For further information or technical advice regarding installation, do not hesitate to contact us or visit us on [rotoclear.com](http://rotoclear.com).

## Orders

### Sales/Marketing

**Markus Reiss**

Telephone: +49 6221 506-192  
[markus.reiss@rotoclear.com](mailto:markus.reiss@rotoclear.com)

### Technical development

**Manuel Linnenschmidt**

Telephone: +49 6221 506-133  
[manuel.linnenschmidt@rotoclear.com](mailto:manuel.linnenschmidt@rotoclear.com)

### Sales partners

[rotoclear.com/distributors](http://rotoclear.com/distributors)



## Delivery periods

All products are usually available from stock and can be delivered

within one work week. Please enquire separately for larger quantities.

## Shipping and terms

Prices do not include VAT/sales tax.  
Payment net within 30 days.

Within the EU: Free delivery (CIP)  
Worldwide: Delivery ex works incl. packaging (EXW)

Our General [Terms of Sale and Delivery](#) apply exclusively. Any other terms shall be void and null.

Warranty: 1 year from date of delivery (not on wear parts)

Country of manufacture: Germany  
Customs goods number (statistical goods number): 76101000  
For EU (except Germany):  
Tax-free intra-Community delivery

Price list valid from April 1st 2018

Great perspective  
for your component

