

# ROTO CLEAR

 VISION

Product overview

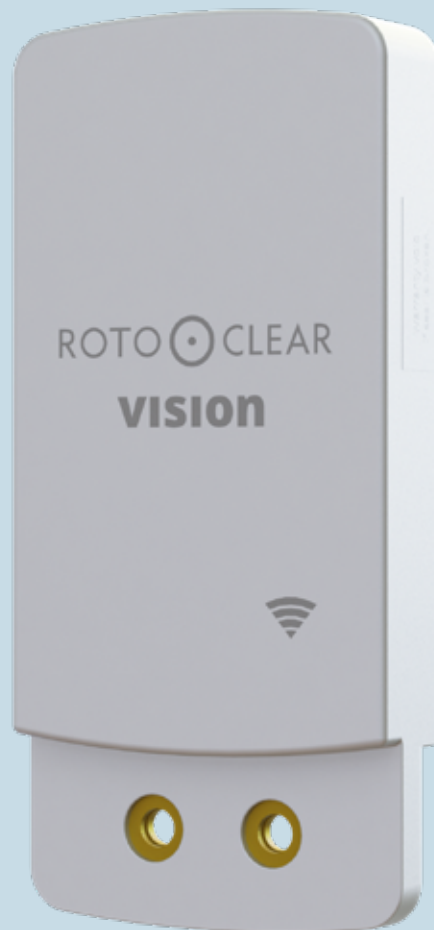
Remote view with  
Rotoclear vision





A clear view of the production processes under the toughest milling conditions. The spinning window is an approved system to keep inspection window clean and thus to ensure continuous control of work flow. Rotoclear is suitable for all kinds of metal cutting machines such as turning centers, milling machines, including machining centers and test stands.

A rotating disc flings off striking coolants and cuttings, whether water-soluble or water-insoluble. This enables the operator to have a clear view into the processing area at all times – thus guaranteeing safety according to the applicable safety regulations.



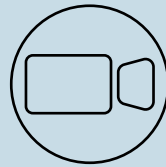
The Wi-Fi camera for wireless monitoring of your machine tools working space. Integrated in Rotoclear, the camera always has a clear view into the machine – just like you. The camera's head is adjustable, so you can focus on the important details of the process.

You can connect to the camera with any Wi-Fi enabled device. Either log in directly on the camera's access point or you can easily integrate the camera into your corporate network.

The camera is available as a complete package or for retrofitting in Rotoclear S3 V7.1. It is attached to the integrated connector of Rotoclear and simultaneously powered by it.



Fully integrated in  
Rotoclear S3



SVGA, VGA, QVGA,  
Full screen, max. 16fps



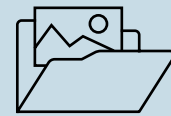
Wireless transmission  
via Wi-Fi



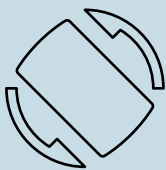
Connection to internal  
access point or integration  
to company Wi-Fi



Power supply  
through Rotoclear  
No connection necessary  
No software necessary



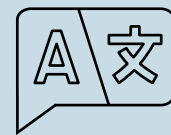
Recording of stills  
and video



Rotation of image in  
90° steps. Horizontal  
and vertical adjust-  
ment of approx.  $\pm 30^\circ$



Integrated online  
update feature



Multiple language support

# Rotoclear vision

Remote view with the integrated Wi-Fi camera



The camera can be integrated into Rotoclear by using just two screws.

They also serve as the power supply. The signal is transmitted wirelessly.

# vision

for installation in Rotoclear S3 from V7.1

The camera Rotoclear vision with accessories is included in the scope of delivery. You need Rotoclear S3 version V7.1 or higher to retrofit.

## **Order number: 99689**

Total weight incl. packaging: 0,5 kg

Dimensions: 35x32x5 cm

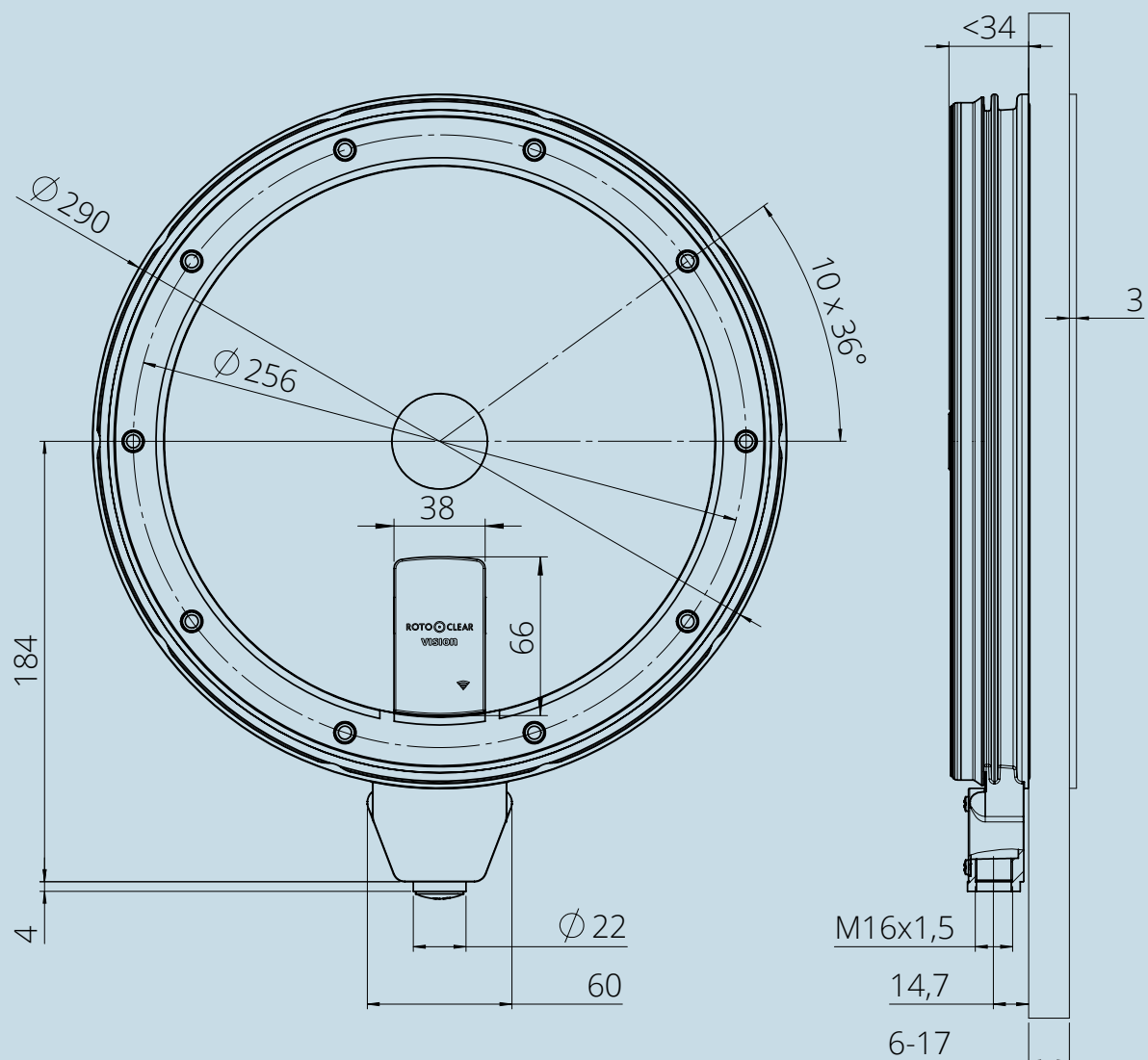
Included in delivery:

- 1x Rotoclear vision Wi-Fi camera
- 2x Safety glass to protect camera
- 2x screws
- 1x Special-purpose tweezers
- 1x Torx T5 screw driver
- 1x Manual de-en

## Installation

Nearly every machine can be retrofitted with Rotoclear. It is mounted on the inside of the original machine window. First you will look through the machine window, then through

the device. It has a thickness of 33.5mm. At least 34mm is required on the inside of the machine window, so that the device does not collide when the machine door is opened.



## Rotoclear S3

To install Rotoclear vision, you need a current model of the Rotoclear S3 rotating window. Installation is possible from version V7.1. You will find this

information on the type plate. If you have an older model or want to retrofit your machine, our complete packages or the device for replacement are available.

### Rotoclear S3 – Bonding version

Complete package with installation accessories for mounting with adhesive flange on laminated safety glass or polycarbonate panes.

**Order number: 76316**

### Rotoclear S3 – Screw version

Complete package with installation accessories for mounting with screw flange for polycarbonate panes.

**Order number: 76314**

### Rotoclear S3 – Basic unit

To replace an older, already installed model. The package does not include any accessories.

**Order number: 76329**



## Accessories

Additionally we offer a pressure gauge and a gate valve to adjust the sealing air directly at the stator. This guarantees

an absolutely tight system with the lowest air consumption possible.

### Pressure gauge

Measurement equipment to check pressure at connecting box

**Order number: 78973**

### Straight Way Valve

For exact adjustment of sealing air

**Order number: 89737**

To adjust the pressure you just need either the gate valve or you can use any commercially available

pressure reducing valve.

For further information please check the [manual](#) on page 11 or the [specifications](#).

## Orders

### Sales/Marketing

**Markus Reiss**

Telephone: +49 6221 506-192  
[markus.reiss@rotoclear.com](mailto:markus.reiss@rotoclear.com)

### Technical development

**Manuel Linnenschmidt**

Telephone: +49 6221 506-133  
[manuel.linnenschmidt@rotoclear.com](mailto:manuel.linnenschmidt@rotoclear.com)

### Sales partners

[rotoclear.com/distributors](http://rotoclear.com/distributors)

## Delivery periods

All products are usually available from stock and can be delivered

within one work week. Please enquire separately for larger quantities.

## Shipping and terms

Prices do not include VAT/sales tax.  
Payment net within 30 days.

Warranty: 1 year from date of delivery (not on wear parts)

Within the EU: Free delivery (CIP)  
Worldwide: Delivery ex works incl. packaging (EXW)

Country of manufacture: Germany  
Customs goods number (statistical goods number): 76101000

Our General [Terms of Sale and Delivery](#) apply exclusively. Any other terms shall be void and null.

For EU (except Germany):  
Tax-free intra-Community delivery

Price list valid from December 1st 2018

Great perspective  
for your component

